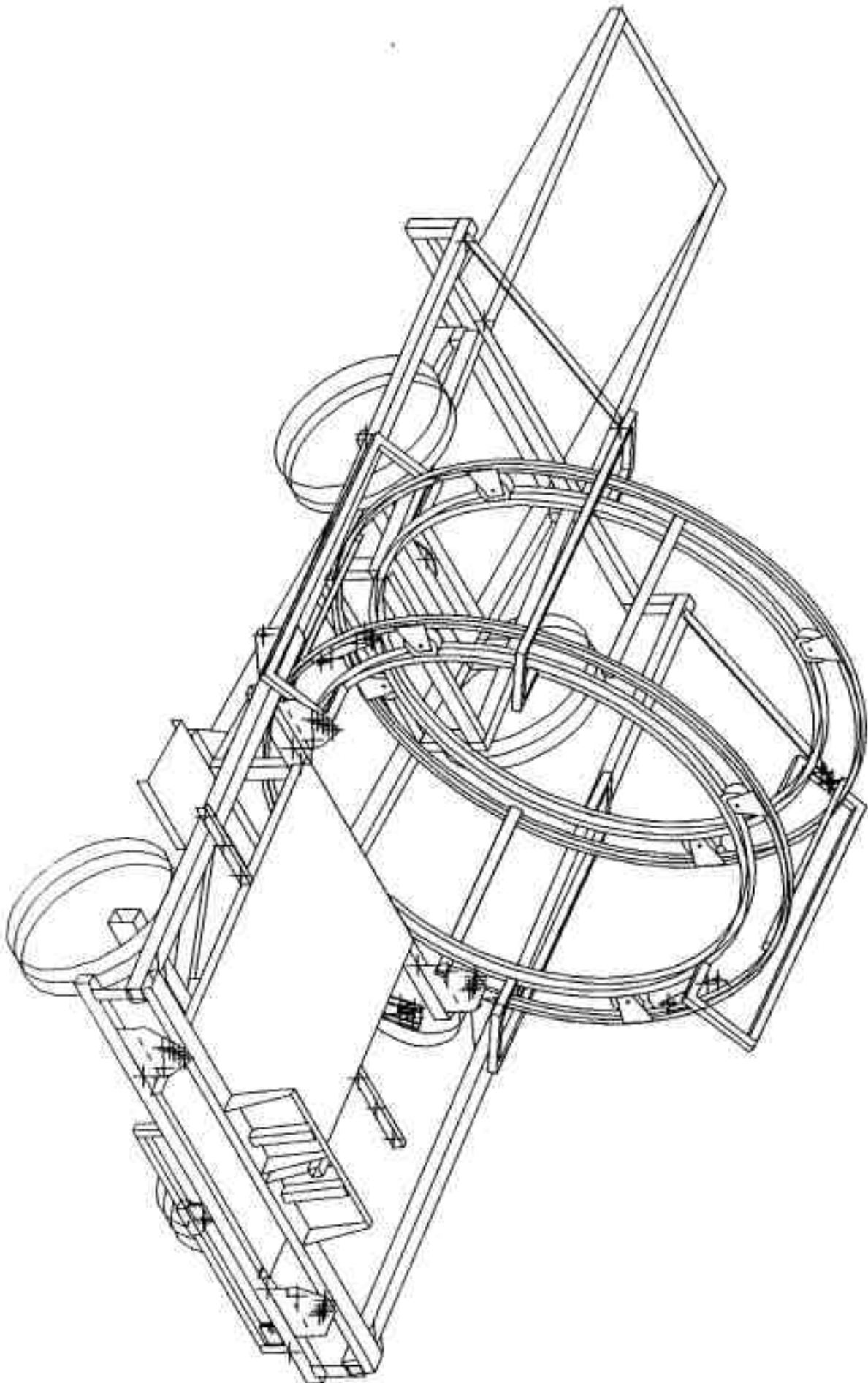
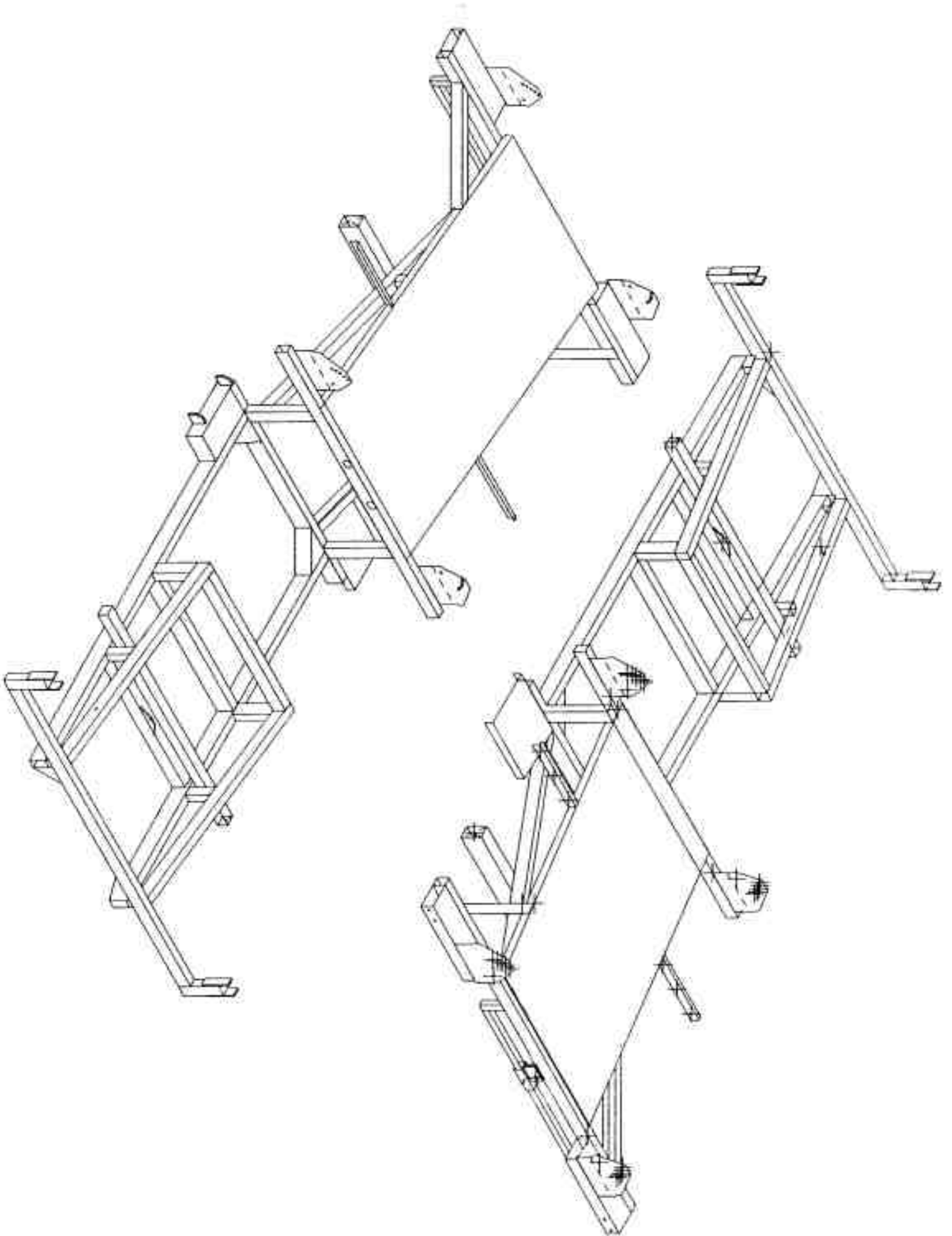


1997  
**Tube-Line 500**

**Parts and Service  
Manual and Automatic**



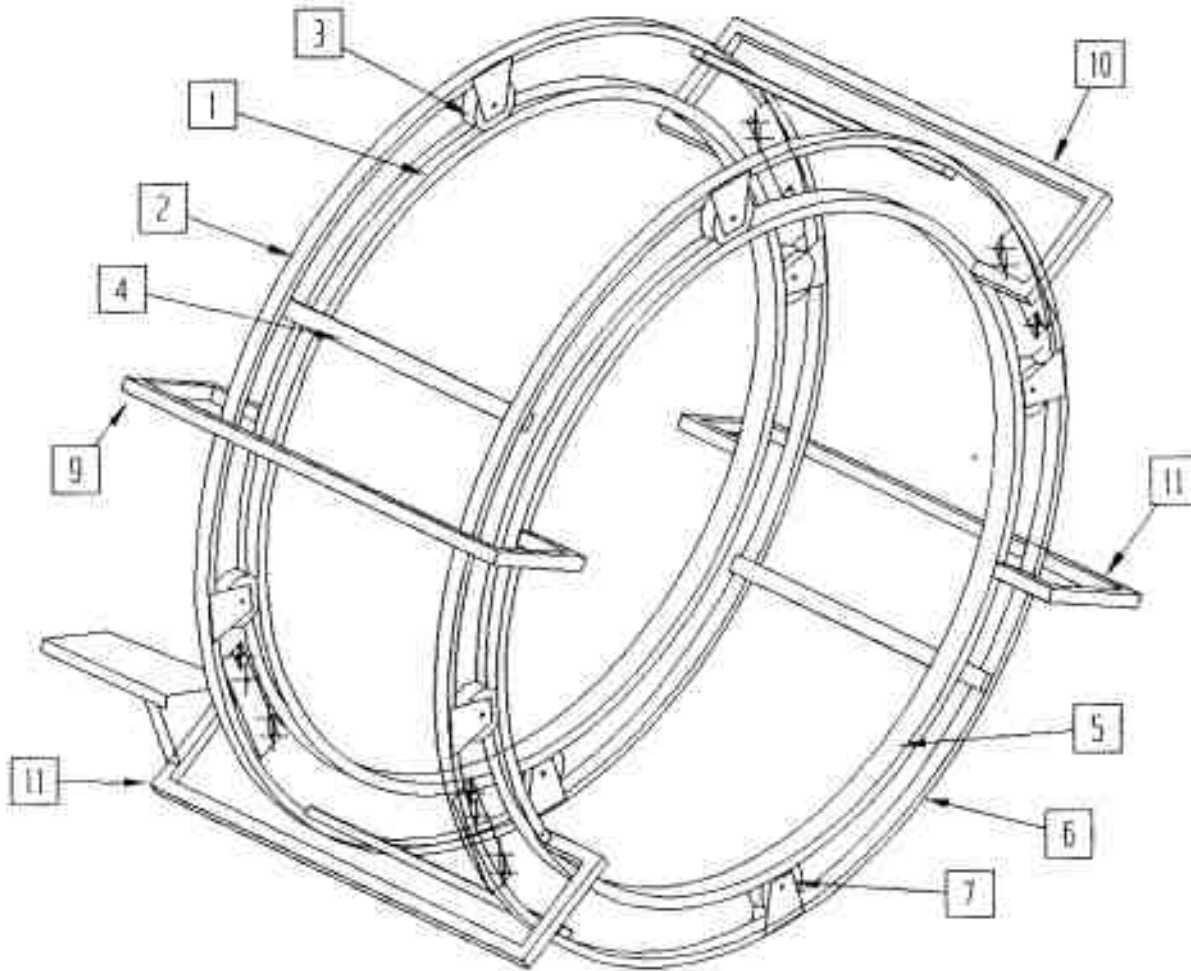


Tube-Line 500  
Parts Manual  
Index

Wrap Chamber .....	3
Hoop Tie .....	4
Hoop Wheels and Axle .....	5
Wrapper Hardware .....	6
Safety Mesh .....	7
Wrap Chamber and Valve Brace .....	8
Drive Wheel and Hydraulic Motor .....	9
Rear Axle and Hubs .....	10
Brakes .....	11
Rear Roller .....	12
Tail .....	13
Short Roller .....	14
Bale Saddle .....	15
Ram .....	16
Push Tube and Push Plate .....	17
Tongue .....	18
Mud Flap .....	19
Hydraulic Tank and Filter .....	20
Engine and Hydraulic Pump .....	21
Hydraulic Valve ( manual ) .....	22
Engine Cover and Decal Plate .....	23
Hydraulic Valve ( automatic ) .....	24
Limit Switch .....	25
Control Panel .....	26
Bale Trigger and Battery holder .....	27
Throttle Solenoid and Cable .....	28
Sequence of Operation ( manual ) .....	29
Sequence of Operation ( automatic ) .....	30
Hydraulic Schematic Diagram ( manual ) .....	31
Hydraulic Schematic Diagram ( automatic ) .....	32
Electric Schematic Diagram ( automatic ) .....	33
Electric Wiring Diagram .....	34
Part Numbers .....	
Hydraulic Valve Parts .....	

# Tube-Line 500

Wrap Chamber

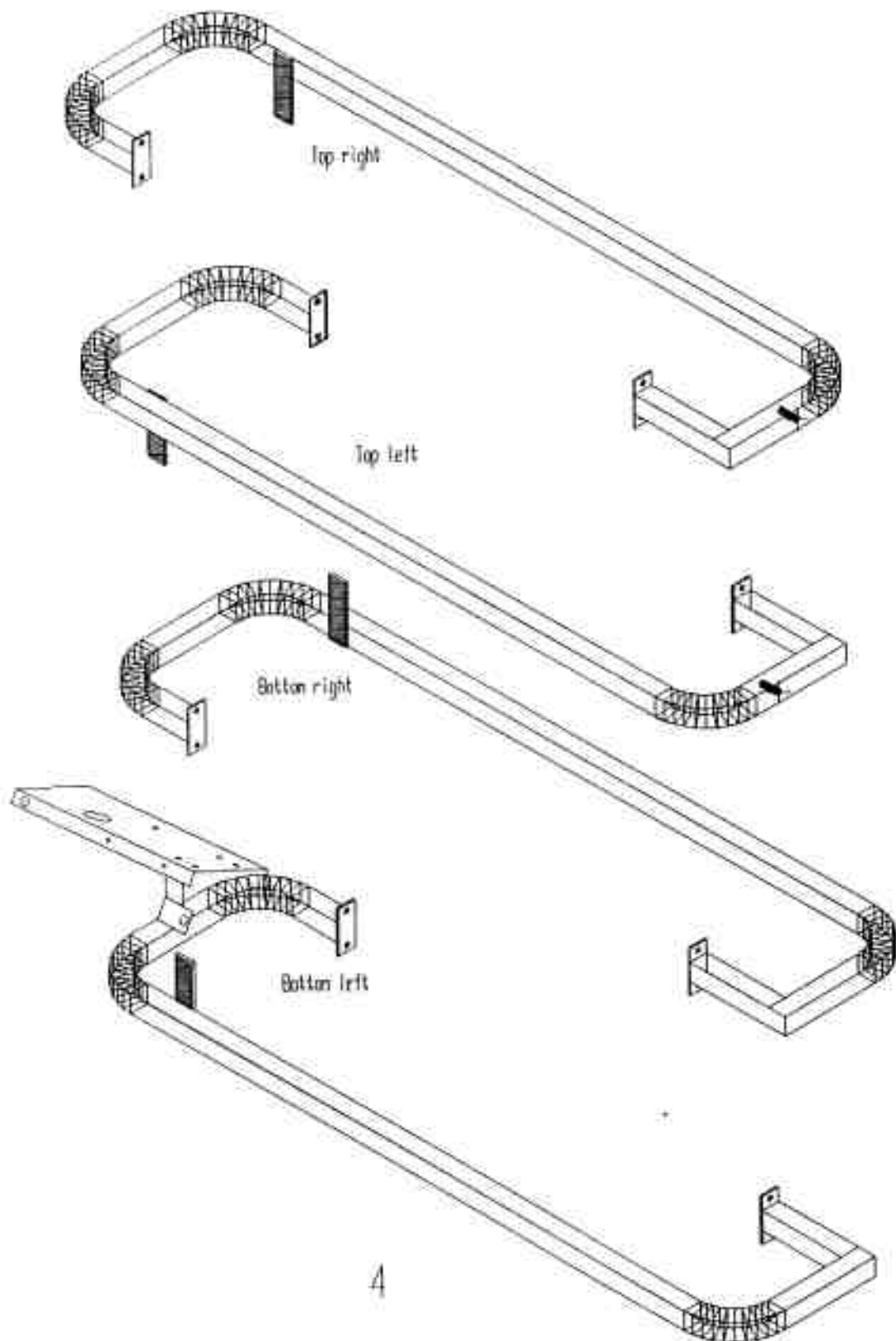


- |   |                    |
|---|--------------------|
| 1 | Front channel ring |
| 2 | Front Tube ring    |
| 3 | Front Wheel 6 in   |
| 4 | Ring Tie           |
| 5 | Rear Channel ring  |
| 6 | Rear Tube ring     |

- |    |  |
|----|--|
| 7  | Rear Wheel 4 in                          |
| 8  | Mounting Bolt 1/2 X 2 / nut / lockwasher |
| 9  | Top Left Hoop tie                        |
| 10 | Top Right Hoop tie                       |
| 11 | Bottom Right Hoop tie                    |
| 12 | Bottom Left Hoop tie                     |

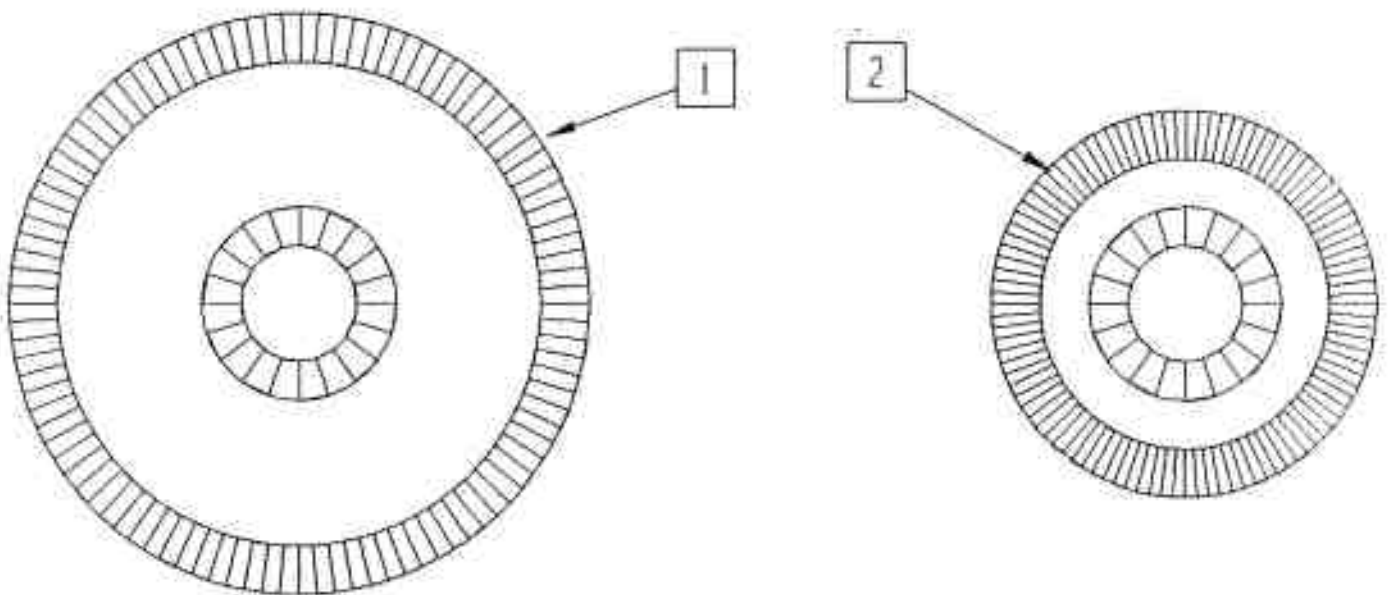
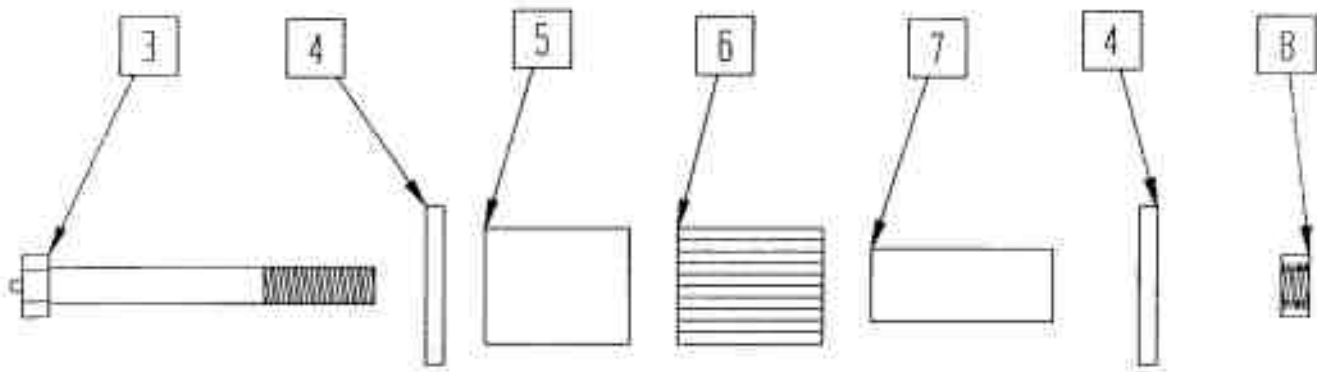
# Tube-Line 500

Hoop tie



# Tube-Line 500

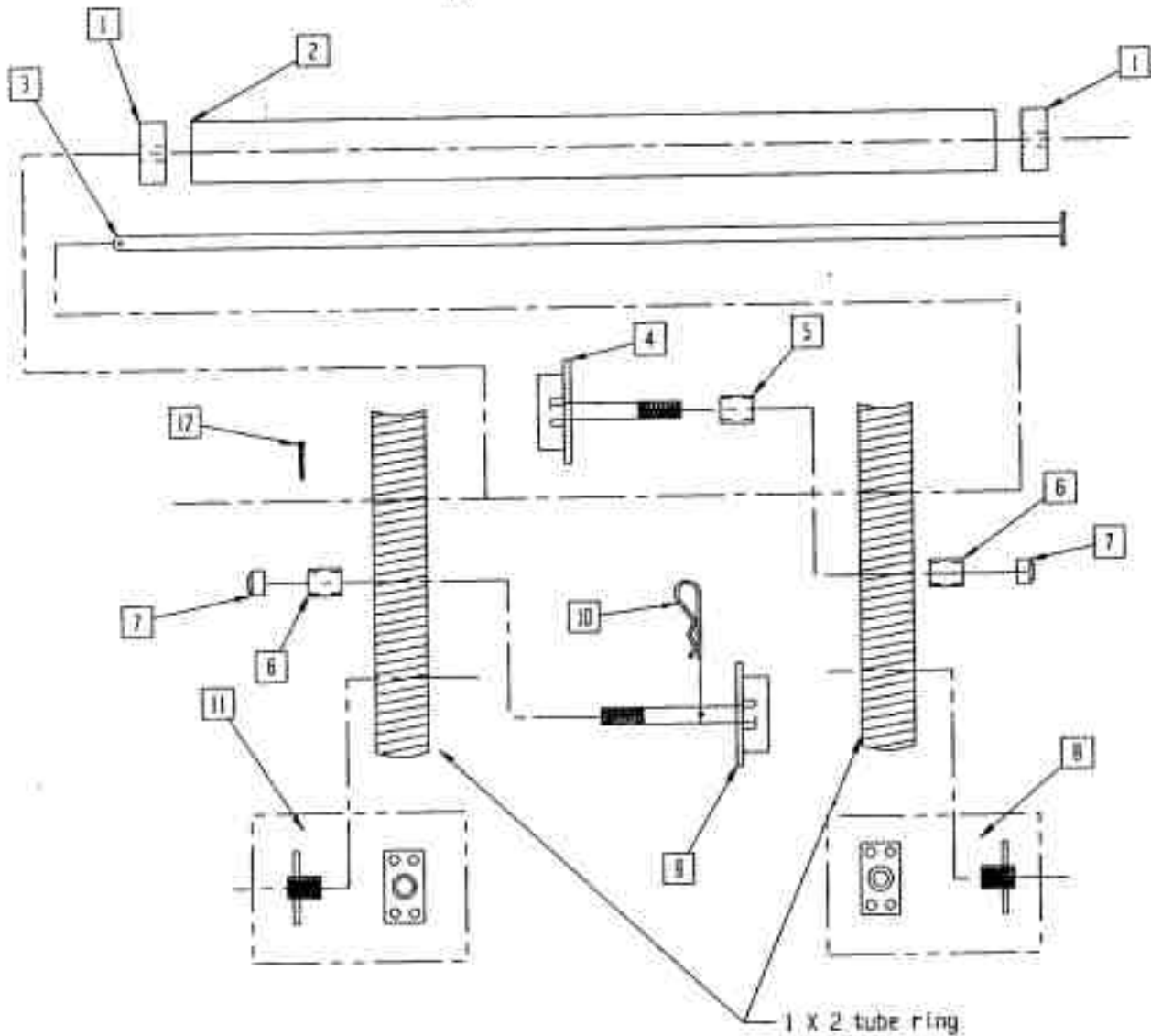
Hoop wheels



1	6 in wheel
2	4 in wheel
3	axle bolt
4	bearing seal
5	outer race
6	roller bearing
7	inner race
8	locknut

# Tube-Line 500

wrapper hardware

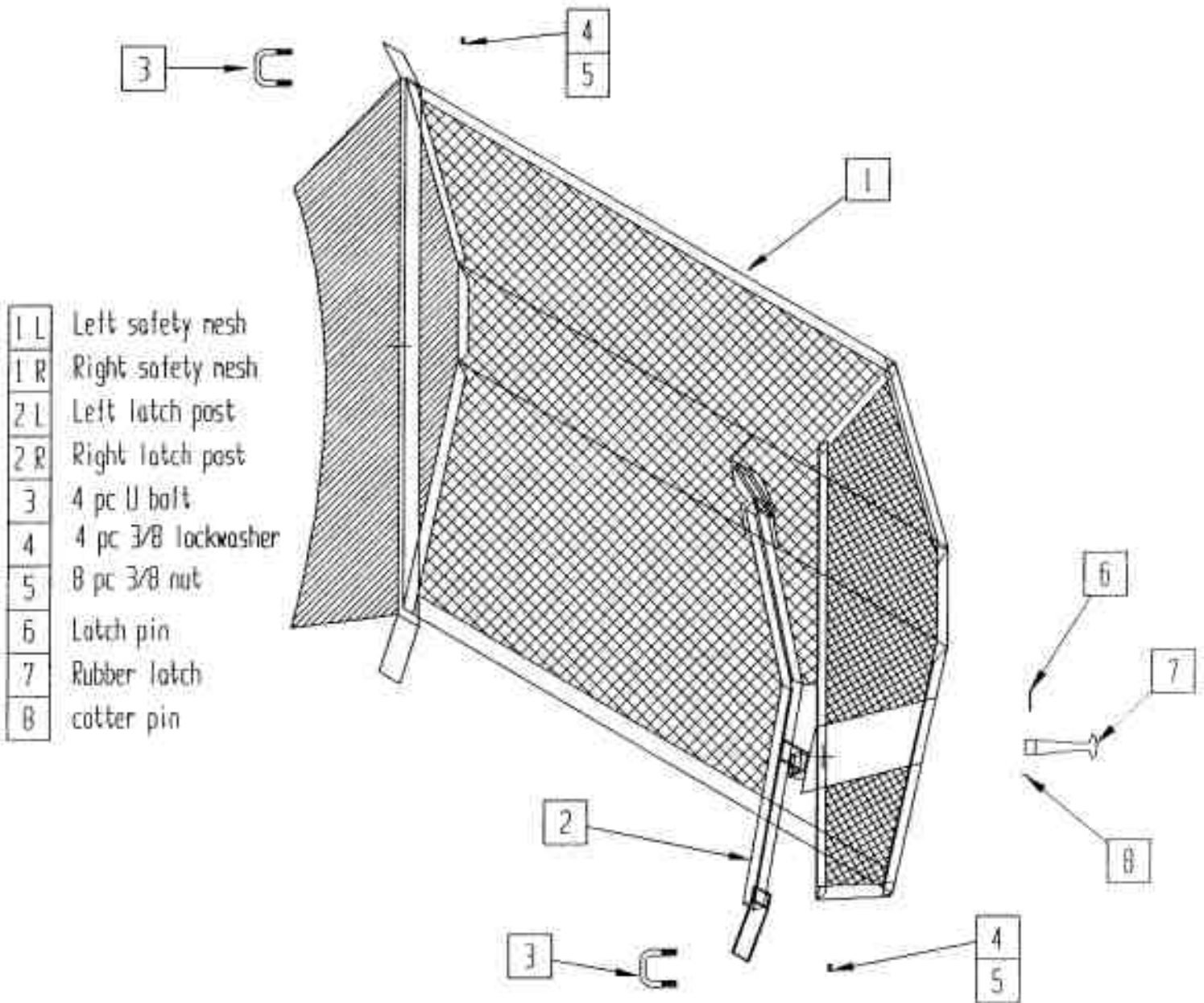


- |    |                               |
|----|-------------------------------|
| 1  | 2 in od X 9/16 id X 1 HMWPE   |
| 2  | 2 in ABS pipe                 |
| 3  | plastic roller pin            |
| 4  | plastic wrap spool            |
| 5  | spacer                        |
| 6  | Dilite bearing                |
| 7  | Nylon locknut                 |
| 8  | stretch wrap holder small end |
| 9  | plastic wrap spool            |
| 10 | hair pin                      |
| 11 | stretch wrap holder large end |
| 12 | cotter pin                    |

Use 5/8 & 1/2 flat washers as required

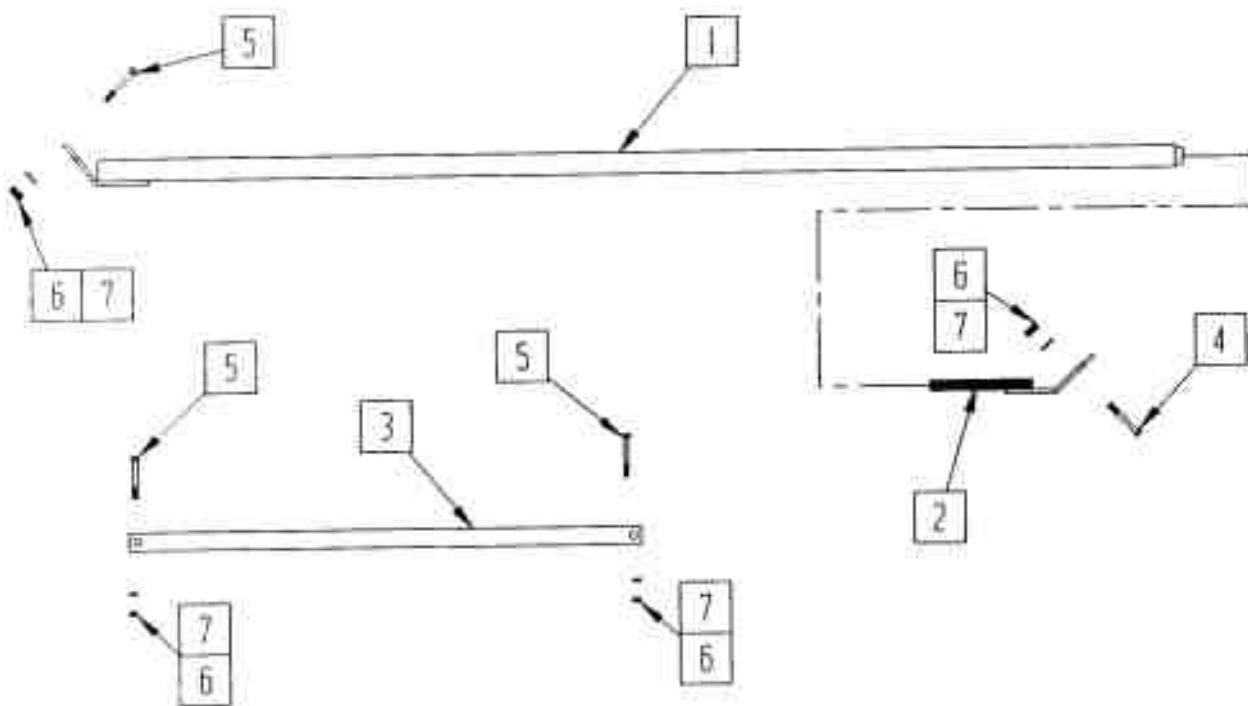
# Tube-Line 500

Safety mesh



# Tube-Line 500

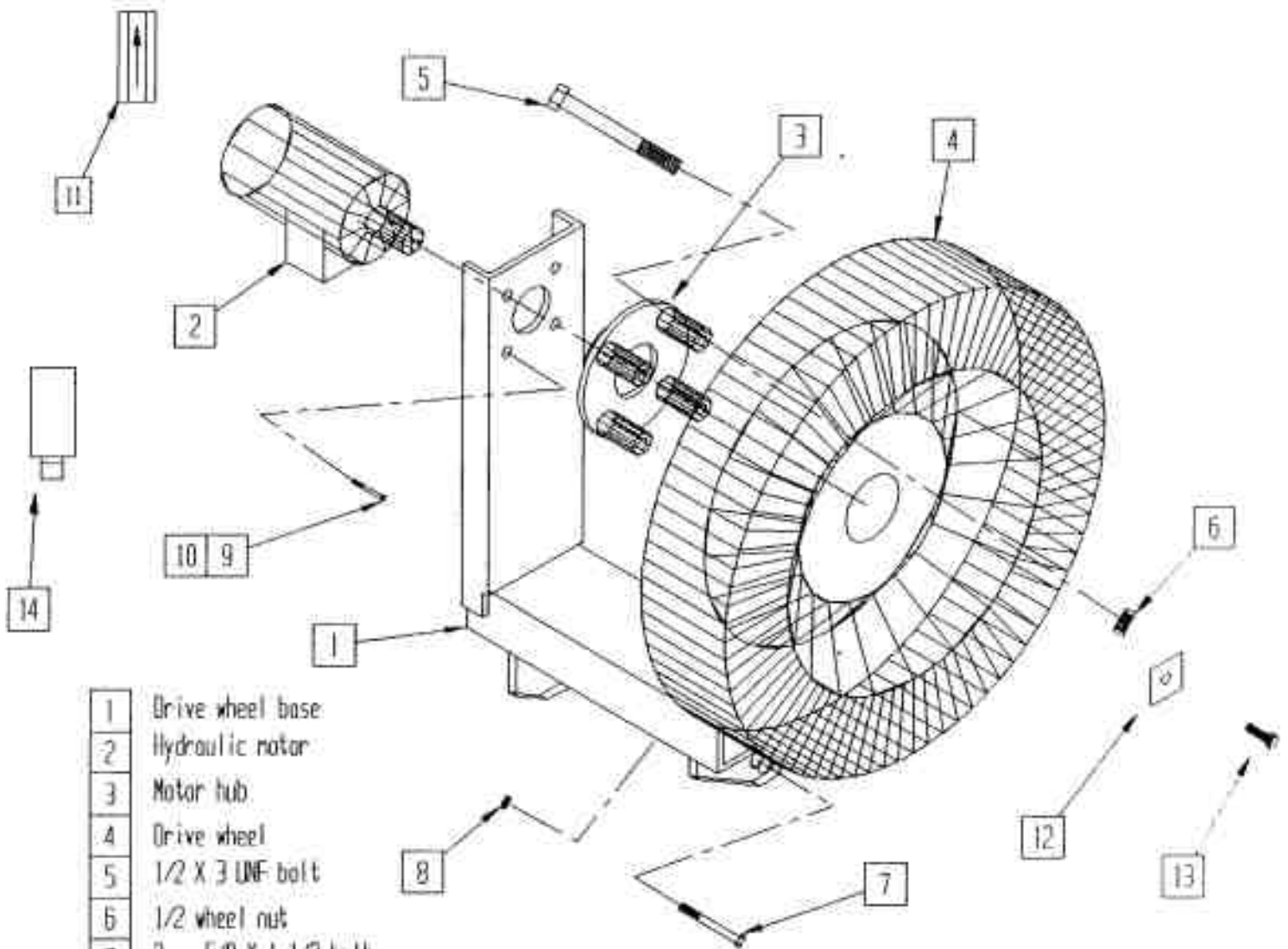
Wrop brace & valve brace



1	Bottom brace part
2	Top brace part
3	Valve brace
4	3/8 X 2 bolt
5	3/8 X 1 bolt
6	3/8 nut
7	3/8 lockwasher

# Tube-Line 500

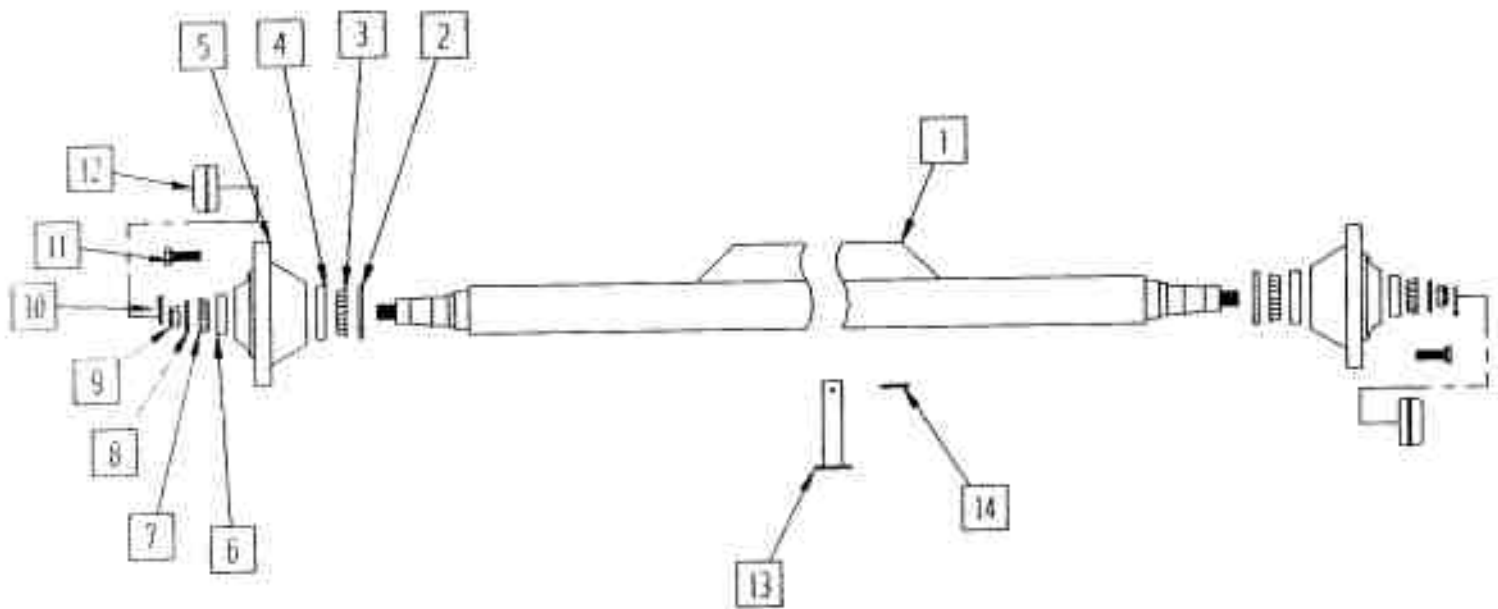
Drive wheel



- |    |                                  |
|----|----------------------------------|
| 1  | Drive wheel base                 |
| 2  | Hydraulic motor                  |
| 3  | Motor hub                        |
| 4  | Drive wheel                      |
| 5  | 1/2 X 3 UNF bolt                 |
| 6  | 1/2 wheel nut                    |
| 7  | 2 pc 5/8 X 1 1/2 bolt            |
| 8  | 2 pc 5/8 locknut                 |
| 9  | 4 pc 3/8 X 3/4 bolt              |
| 10 | 4 pc 3/8 lockwasher              |
| 11 | Check Valve (Manual model only)  |
| 12 | Washer                           |
| 13 | 1/4 X 1 bolt/lockwasher          |
| 14 | Relief Valve (Manual model only) |

# Tube-Line 500

Axle/spindle/hub

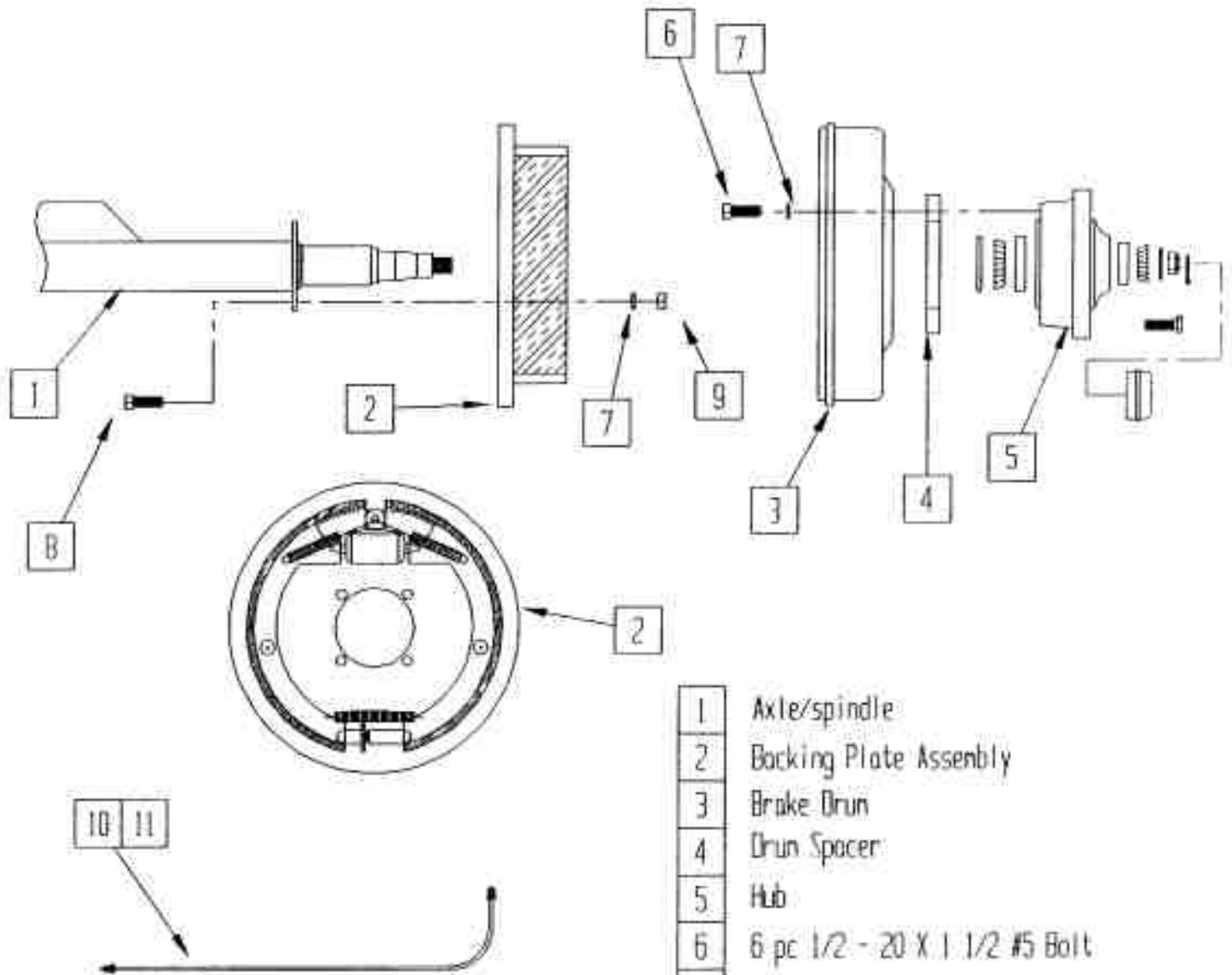


1	Axle
2	seal
3	inner bearing
4	inner bearing race
5	hub
6	outer bearing race
7	outer bearing
8	flat washer
9	wheel nut
10	cotter pin

11	wheel stud
12	dust cap
13	axle pin
14	cotter pin

# Tube-Line 500

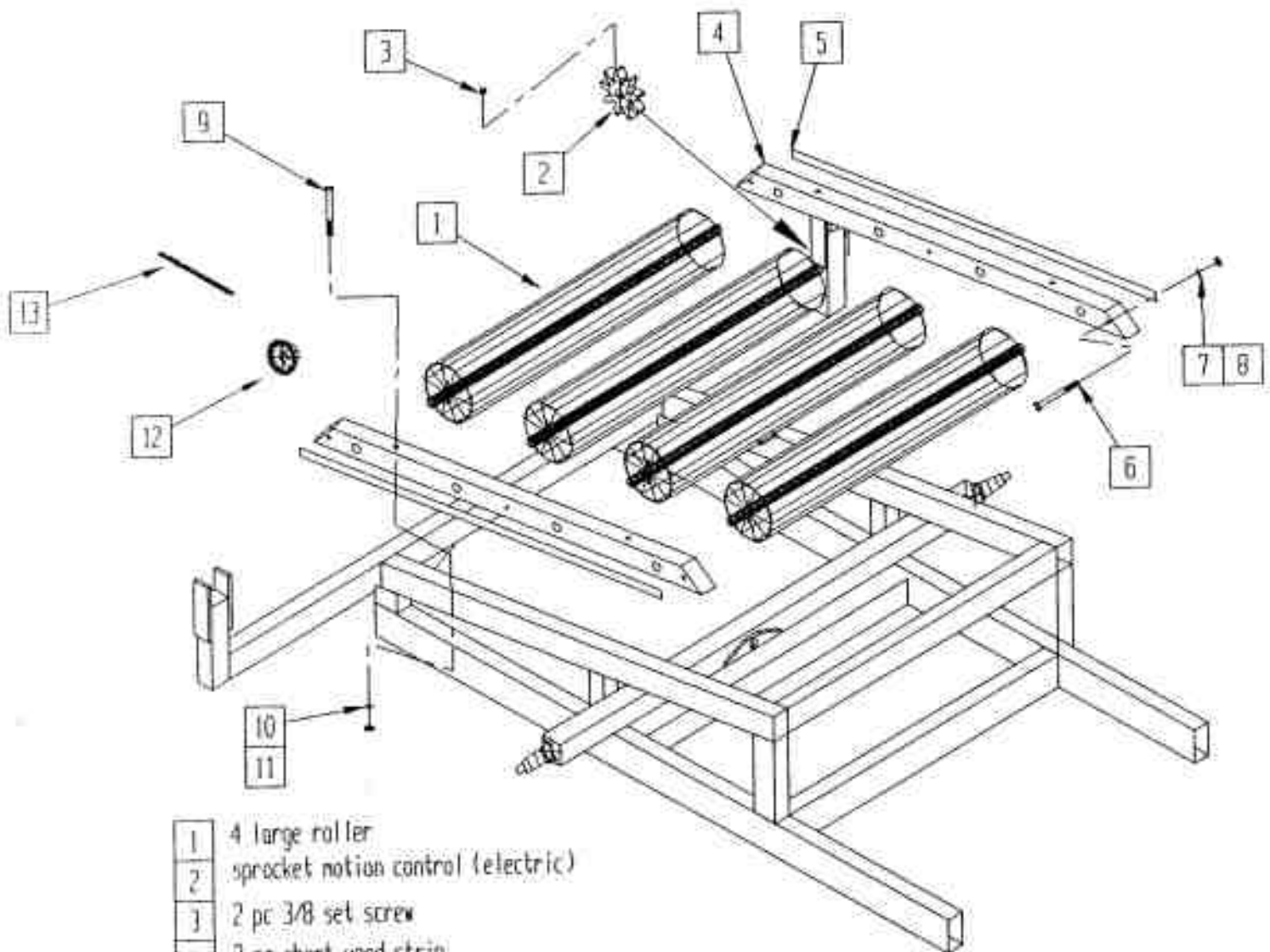
Axle/spindle/brake



- |    |                               |
|----|-------------------------------|
| 1  | Axle/spindle                  |
| 2  | Backing Plate Assenbly        |
| 3  | Brake Drum                    |
| 4  | Drum Spacer                   |
| 5  | Hub                           |
| 6  | 6 pc 1/2 - 20 X 1 1/2 #5 Bolt |
| 7  | 10 pc 1/2 Lockwasher          |
| 8  | 4 pc 1/2 - 20 X 1 1/4 #5 Bolt |
| 9  | 4 pc 1/2 - 20 Nut             |
| 10 | 3/16 Brake Line Right Side    |
| 11 | 3/16 Brake Line Left Side     |

# Tube-Line 500

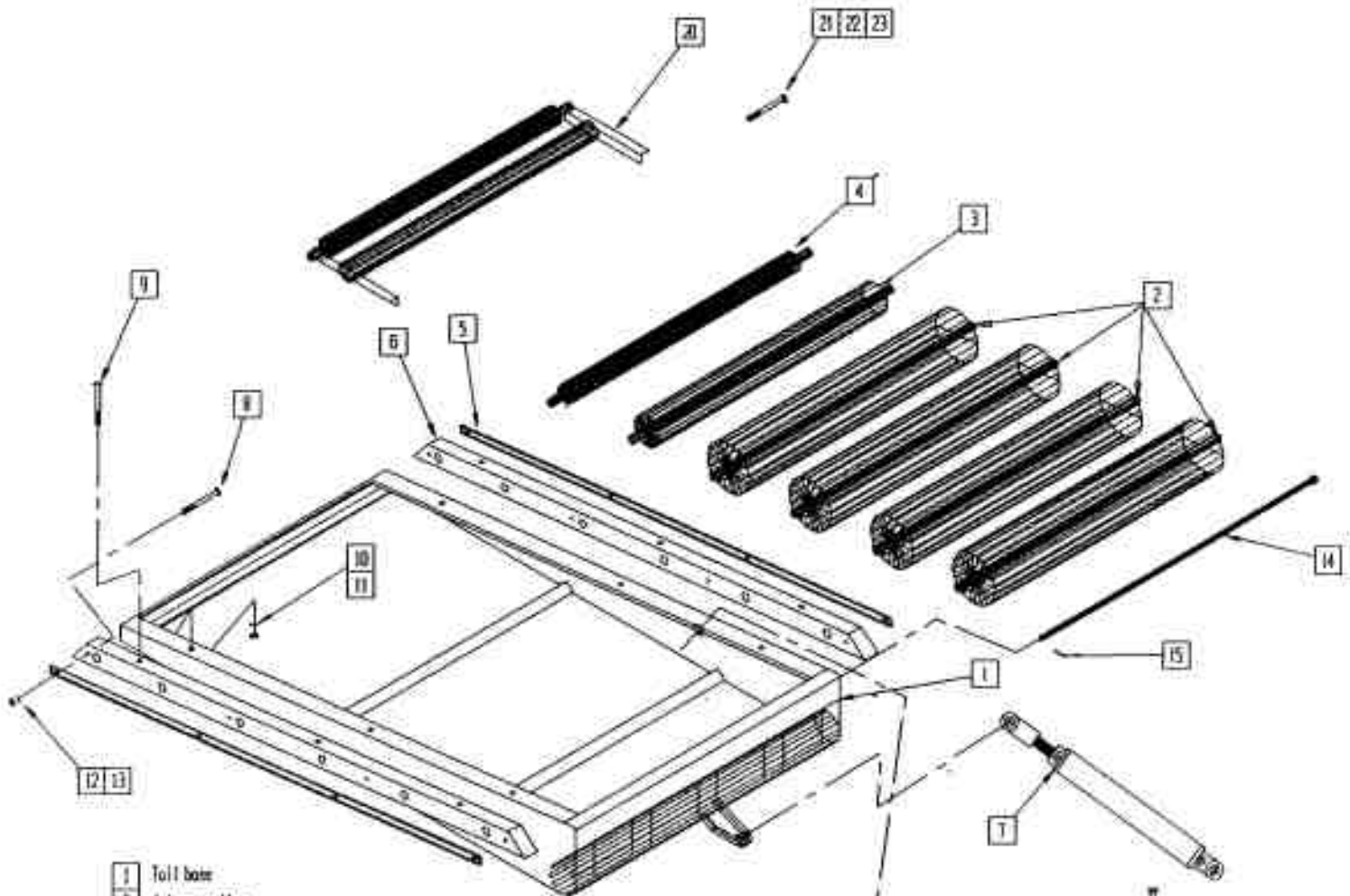
rear roller



- |    |   |
|----|---|
| 1  | 4 large roller                          |
| 2  | sprocket motion control (electric)      |
| 3  | 2 pc 3/8 set screw                      |
| 4  | 2 pc short wood strip                   |
| 5  | 1/4 X 1 retainer strip                  |
| 6  | 6 pc 5/16 X 3 carriage bolt             |
| 7  | 6 pc 5/16 Lockwasher                    |
| 8  | 6 pc 5/16 nut                           |
| 9  | 4 pc 1/2 X 6 carriage bolt              |
| 10 | 4 pc 1/2 lockwasher                     |
| 11 | 4 pc 1/2 nut                            |
| 12 | 2 pc 40B20 sprock (Automatic only)      |
| 13 | 1 pc # 40 roller chain (Automatic only) |

# Tube-Line 500

## Tail

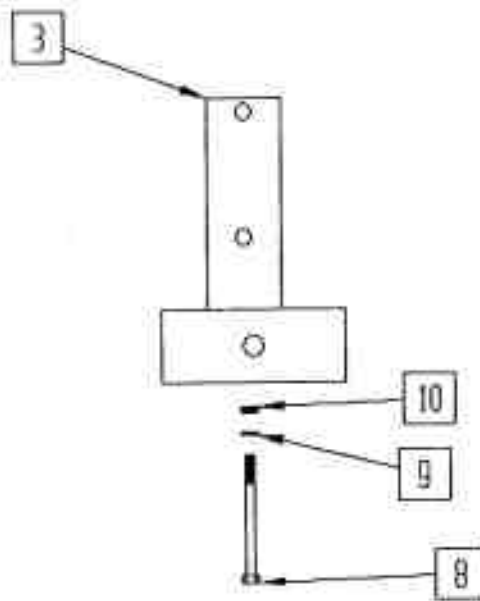
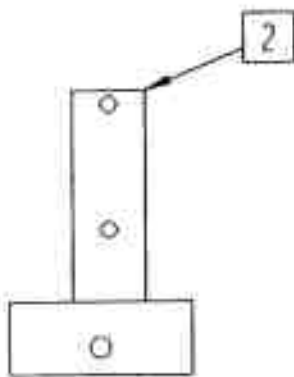
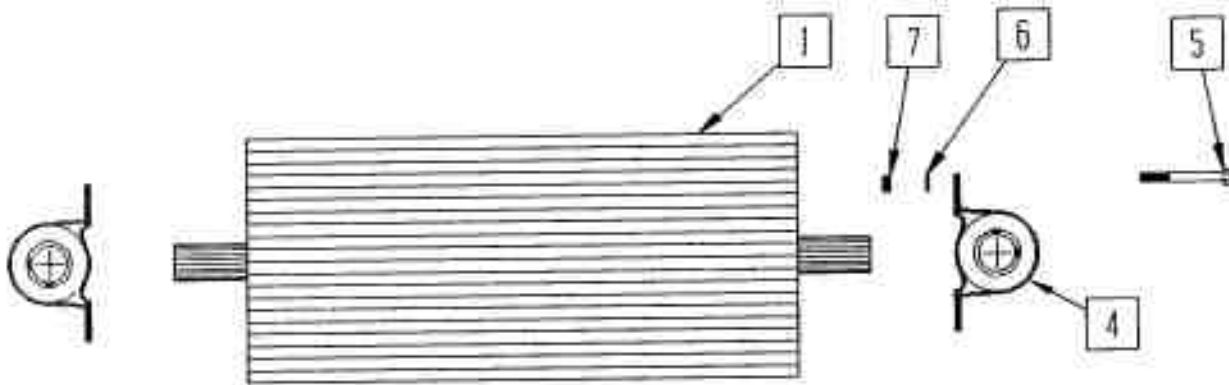


- |    |                                |
|----|--------------------------------|
| 1  | Tail base                      |
| 2  | 4 large roller                 |
| 3  | 1 pc 4 in roller               |
| 4  | 1 pc 2 3/8 roller              |
| 5  | 1/4 X 1 retainer strip         |
| 6  | flod strip                     |
| 7  | 2 X 15 hydraulic cylinder      |
| 8  | 8 pc 5/16 X 3 carriage bolt    |
| 9  | 6 pc 1/2 X 3 1/2 carriage bolt |
| 10 | 6 pc 1/2 lockwasher            |
| 11 | 6 pc 1/2 nut                   |
| 12 | 8 pc 5/16 lockwasher           |
| 13 | 8 pc 5/16 nut                  |
| 14 | Hinge pin                      |
| 15 | cotter pin                     |

- |    |                       |
|----|-----------------------|
| 16 | tail tie bar          |
| 17 | Hinge pin             |
| 18 | 3/4 X 5 bolt          |
| 19 | 3/4 locknut           |
| 20 | Rear Roller Extension |
| 21 | 4 pc 3/8 X 1 bolt     |
| 22 | 4 pc 3/8 Flatwasher   |
| 23 | 4 pc 3/8 Nylonlocknut |

# Tube-Line 500

Short roller & bearing



1	Short roller
2	Left bearing bracket
3	Right bearing bracket
4	Bearing
5	3/8 X 1 1/4 bolt
6	3/8 lockwasher
7	3/8 nut
8	1/2 X 4 bolt
9	1/2 lockwasher
10	1/2 nut

# TubeLine 500

Bale saddle

